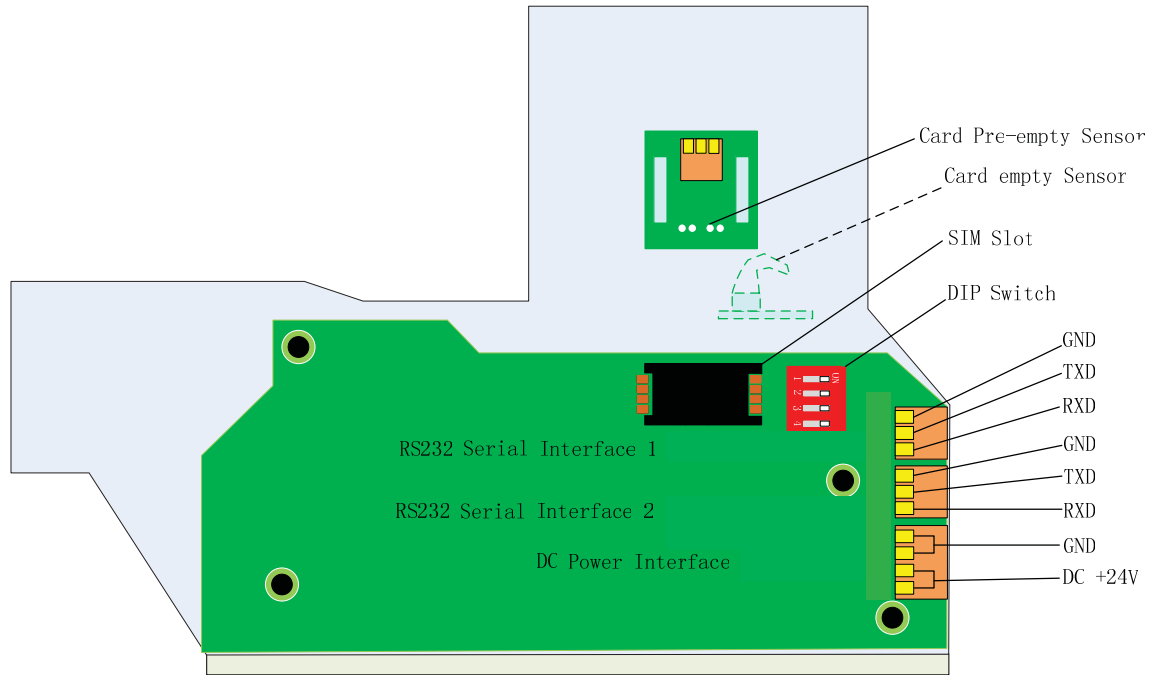
	SPECIFICATION	Model No.	CRT-571
		Date	2010/06/25
	Card Issuing Machine	Ver.	1.01
		Page	9/25

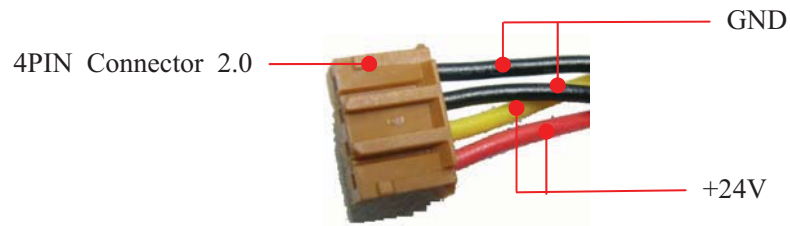
## 5. Interface Specification

### 5.1 Interface Sketch Map




Picture1. CRT-571 Interface sketch map

### 5.2 Power Connector

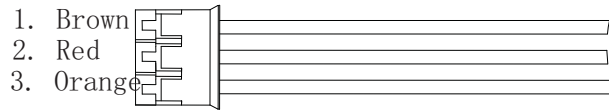


Picture2. 4 PIN Power

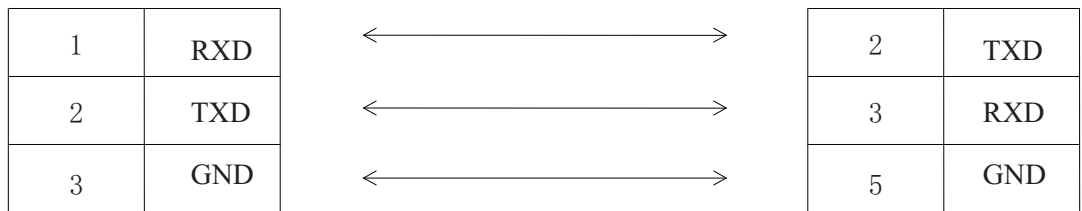
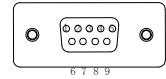
	SPECIFICATION	Model No.	CRT-571
		Date	2010/06/25
	Card Issuing Machine	Ver.	1.01
		Page	10/25

### 5.3 Communication Cable

RS232 Com cable



PC DB9 PIN Connector



Picture3. Connection between 3 pin com cable and PC DB9 pin connector